

# ARK-3399

## Compact Intel® Core™2 Duo Box IPC for Embedded System Control

**NEW**



### Features

- Fanless, Intel® Core™2 Duo Processor Compact Embedded Box IPC
- 5 X USB 2.0
- Supports 9 ~ 34 V wide range DC power inputs
- Easy integration, easy maintenance, few parts, and wide input voltage range
- Both CRT and LVDS dual independent display
- 1 x RS-232 and 1 x RS-232/422/485
- IP40 Rating

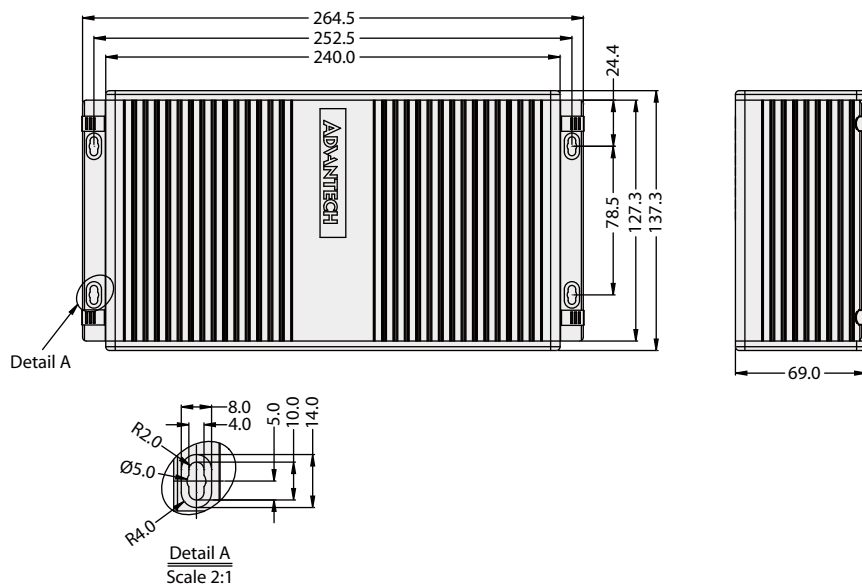


### Specifications

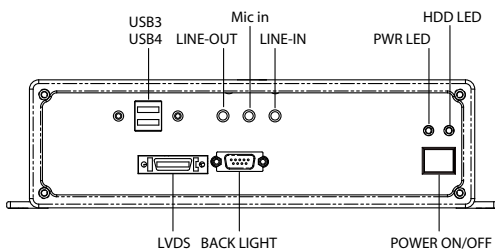
Processor System	CPU	Intel Core Duo LV	Intel Core 2 Duo ULV	Intel Celeron M ULV
	Max. Speed	L2400 (1.66 GHz)	U7500 (1.06 GHz)	423 (1.06 GHz)
	Front Side Bus	667 MHz FSB	533 MHz FSB	533 MHz FSB
	System Chipset	945GME + ICH7-M		
	BIOS	Award 4 Mbit, FWH		
Memory	Technology	DDR2 533/667 MHz (945GME)		
	Max. Capacity	2 GB		
	Socket	1 x 200-pin SODIMM		
Graphics	Chipset	Integrated graphics built in to Intel 945GM, Intel 3.5 Generation Integrated Graphics Engine		
	Interfacing	CRT Interfacing 48-bit LVDS Interfacing		
Ethernet	LAN	10/100/1000 Mbps Ethernet controller, supports Wake On LAN		
Audio	Interfacing	Line-Out, Mic-in, Line-in		
I/O Interfacing	Serial Ports	1 x RS-232 port, 1 x RS-232/422/485 ports		
	USB Interfacing	5 x USB ports, USB 2.0 compliant		
	Keyboard/Mouse	1 x PS/2 port, Supports PS/2 mouse and keyboard		
Other	Digital I/O	8-bit		
	Watchdog Timer	255 level timer interval, setup by software		
Expansion	MIO Card	MIO 2.0 Interfacing		
Storage	HDD	Supports one drive bay space for SATA 2.5" HDD		
	SSD	Supports one CompactFlash socket for type I/II CompactFlash disk		
Software Support	Microsoft Windows	Vista, XP Professional, XP Embedded		
Power Requirements	Power Type	AT/ATX		
	Power Input Voltage	9 V <sub>DC</sub> ~ 34 V <sub>DC</sub>		
	Minimum Power Input	9 V @ 5 A --- 34 V @ 1.3 A		
	Power Adapter	AC to DC, DC19 V/3.42 A, 65 W		
Power Consumption	Typical	26 W (Intel Core Duo L2400 1.66 GHz)		
	Max.	30 W (Intel Core Duo L2400 1.66 GHz)		
Mechanical	Construction	Aluminum housing		
	Mounting	DIN-rail mounting, Desk/wall-mounting		
	Dimensions (W x H x D)	264.5 x 69.2 x 137.25 mm (10.41" x 2.72" x 5.4")		
	Weight	2 kg (4.4 lb)		
Environment	Operating Temperature	With industrial grade CompactFlash disk: 0 ~ 55° C (32 ~ 130° F) With 2.5-inch extended temperature hard disk 0 to 45° C (32 ~ 112° F) with air flow		
	Storage Temperature	-40 ~ 85° C (-40 ~ 185° F)		
	Relative Humidity	95% @ 40° C (non-condensing)		
	Vibration During Operation	With CompactFlash disk: 5 Grms, IEC 60068-2-64, random, 5 ~ 500 Hz, 1 Oct./min, 1 hr/axis With 2.5-inch hard disk: 1 Grms, IEC 60068-2-64, random, 5 ~ 500 Hz, 1 Oct./min, 1 hr/axis		
	Shock During Operation	With CompactFlash disk: 50 G, IEC 60068-2-27, half sine, 11 ms duration With hard disk: 20 G, IEC 60068-2-27, half sine, 11 ms duration		
	EMC	CE/FCC Class A, CCC, BSMI		
	Safety Certifications	UL, CCC, BSMI		

## Dimensions

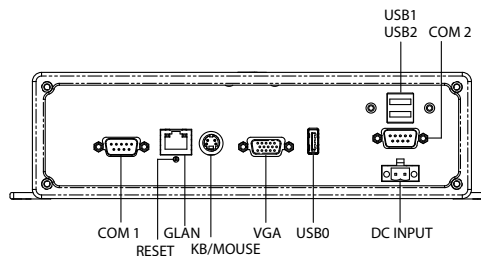
Unit: mm



### Front Panel External I/O Mechanical Layout/Drawing



### Rear Panel External I/O Mechanical Layout/Drawing



## Packing List

Part Number	Description
-	1 x ARK-3399 Unit
1997001110	1 x DIN-rail Mounting Kit
1997001120	
1997001130	
1997001140	
1700060202	1 x PS2 Keyboard/Mouse Cable
1700001967	1 x Flat Cable for RS-485/422 mode of COM2
1700009001	1 x 2-pin Phoenix to DC-Jack power Cable
-	1 x Utility CD
-	China RoHS

## Optional Items

Part Number	Description
1757000222	AC-to-DC Adapter, DC19 V/3.42 A 65 W, with Phoenix Power Plug, 0 ~ 40° C for Home and Office Use
1700001947	Power Cable 2-pin 180 cm, USA for ARK-338X
1700001948	Power Cable 2-pin 180 cm, Europe for ARK-338X
1700001949	Power Cable 2-pin 180 cm, UK for ARK-338X
1960025333N00N	Bracket VESA mounting for ARK-1000,3000,4000 Ni
1700011852	A Cable D-SUB9P (M)/1 x 10P-5.0 mm 10 cm ARK-3 Seri

## Embedded OS

Part Number	Description
2070004489	XPE FP2007 ARK-3399 V3.01 ENG_CHT_CHS_JPN
2070004569	XPE FP2007 ARK-3399 V3.01 ENG_French_German_Ital
2070004570	CE60 Pro ARK-3399 V1.1 ENG

## Ordering Information

Part Number	Description
ARK-3399-1S0A1E	Intel Celeron M ULV 423 1.06 GHz, Compact Embedded Box IPC
ARK-3399-1S1A1E	Intel Core 2 Duo U7500 1.06 GHz, Compact Embedded Box IPC
ARK-3399-1S6A1E	Intel Core Duo L2400 1.66 GHz, Compact Embedded Box IPC